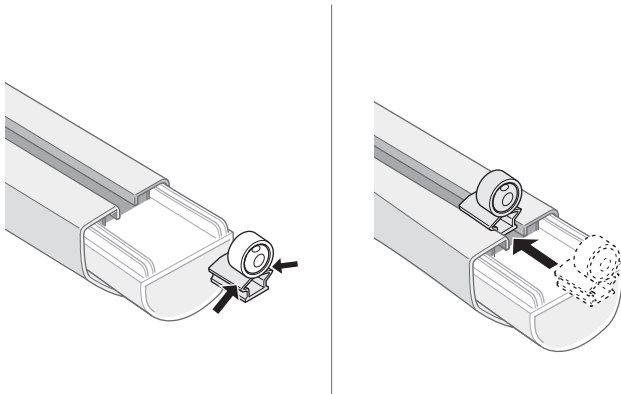
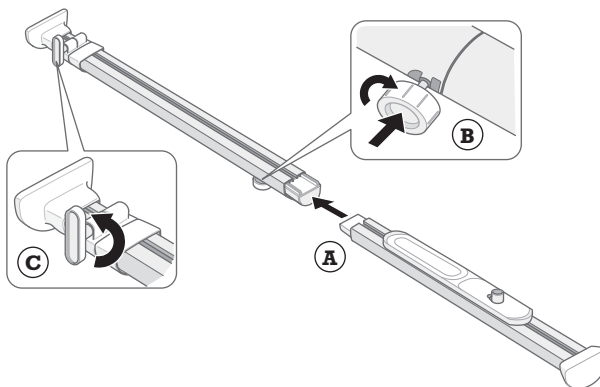


## To Assemble the Beam

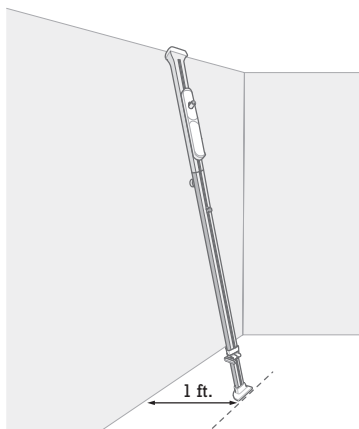
1. Press and hold the clips on the sides of the bubble level.
2. Slide the bubble level into the tracks of the lower beam with the bubble facing the joint to the upper beam.



3. Slide the bubble level approximately 10 in. (25 cm) down the lower beam.
4. Put the lower beam and the upper beam on the floor or on a table.
5. Slide the lower beam and the upper beam together (A).
6. Push and turn the lock knob (B) clockwise to lock the beams together.
7. Loosen the base knob (C) of the beam to allow the spring loaded foot to extend.

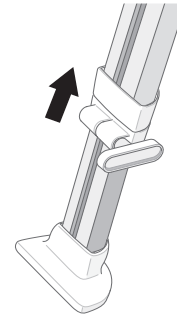


8. Lean the beam against a wall. Put the foot pad on the floor approximately 1 ft. (30 cm) from the wall.



*Note! Make sure that the height of the ceiling where you assemble the beam is the same as the height of the ceiling of the work area.*

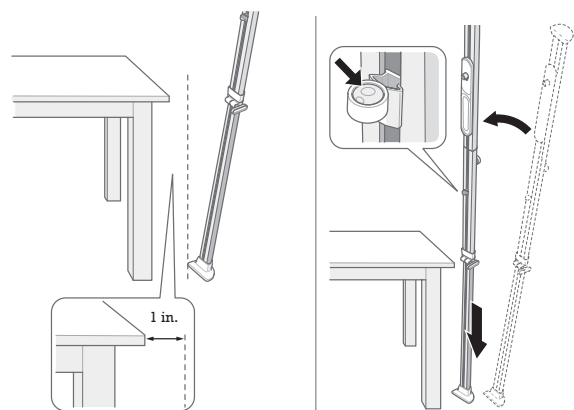
9. While standing on the foot pad, extend the telescoping piece and raise the beam until it touches the corner where the wall meets the ceiling. The telescoping base will extend as you raise the beam.



10. Tighten the base knob when the upper beam is touching the corner.
11. Now that the beam is set to the correct height, move the beam to the work area.

**⚠ Caution!** Make sure that the beam is positioned in an area where it can not be easily bumped into or hit while in operation mode.

12. With the beam at an angle, position the foot of the beam about 1 in. (2.5 cm) from the workspace, ensuring the flat side of the beam is facing the work area.
13. Grip the beam and press it down towards the floor to depress the spring loaded foot.



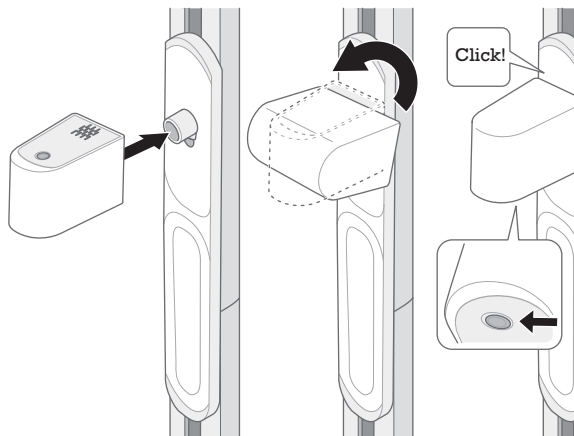
*Note! Face the flat side of the beam towards the work area.*

14. Position the beam vertically between the floor and the ceiling and release the beam.
15. Adjust the beam by pressing down, repositioning and releasing until the bubble in the bubble level is centered.

**⚠ Warning!** After assembly, ensure that beam is secured to both floor and ceiling. Carefully pull the beam by hand to make sure that the beam still stands steady between the floor and the ceiling. If not secure in place, there is a risk of the beam falling over and injuring people or causing damage to furniture or floors, etc.

### To Attach the Projector

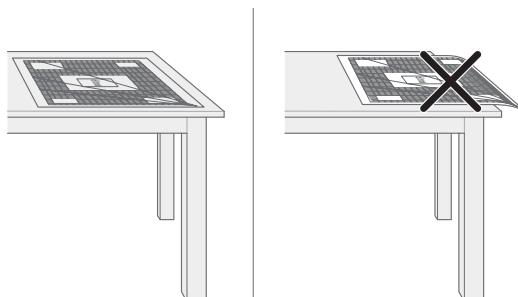
1. Slide the projector carrier to eye level.
2. Attach the projector to the projector carrier with the lens facing the ceiling.
3. Turn the projector 180 degrees counterclockwise until it clicks into place, facing downward.



### To Assemble the Cutting Mat

1. Unfold the cutting mat.
2. Put the cutting mat on the work area with the Ditto logo facing away from the beam.

**⚠ Caution!** The cutting mat must lay completely flat and fully on the work surface. Draping the mat off the edge of a surface will result in poor or incomplete calibration causing inaccurate pattern piece projection.



### To Connect the Product

1. Connect the end of the power cord to the projector.
2. Connect the power cord for the projector in a grounded power outlet.

**⚠ Caution!** To disconnect the product from the power outlet, pull the plug, not the power cord.

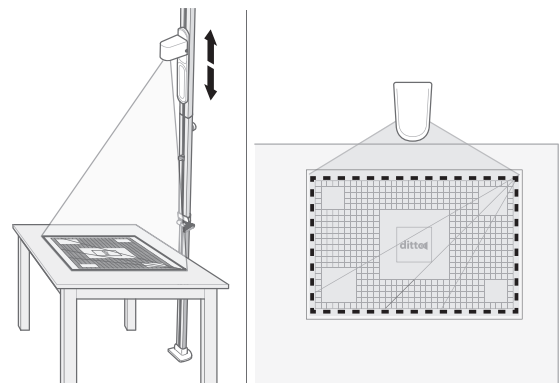
### To Adjust the Projection

When the product is connected to a power outlet, a red rectangle is projected onto the work area.

**⚠ Caution!** The red rectangle must be on top of the white frame region of the cutting mat.

Have your room dimly lit so the projected frame is vivid red.

- Slide the projector upwards to enlarge the size of the red rectangle.
- Slide the projector downwards to reduce the size of the red rectangle.



*Note!* Make sure that the bubble in the bubble level remains centered while sliding the projector.

*Note!* It is of high importance that the projection is fitted correctly on the cutting mat. It can take some attempts for the result to be satisfactory.

### To Attach the Cords

1. Put the power cord into the cord management hook in the bubble level.
2. Put the power cord into the slot on the flat side of the beam.
3. Put the cord covers over the cord, into the slots and snap them into place.

